

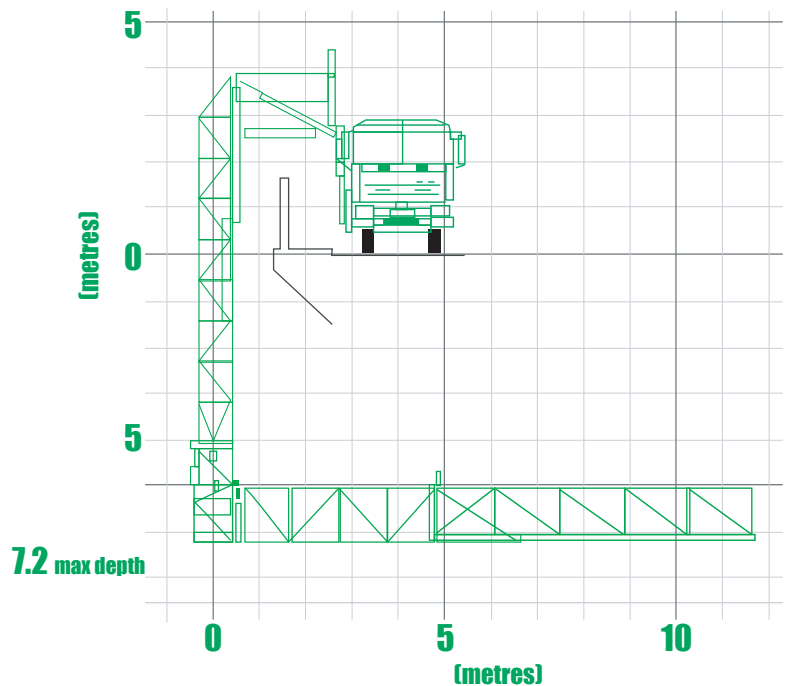
# 12 Metre

## Moog

### Underbridge Maintenance Unit Unit Number: UBM 5

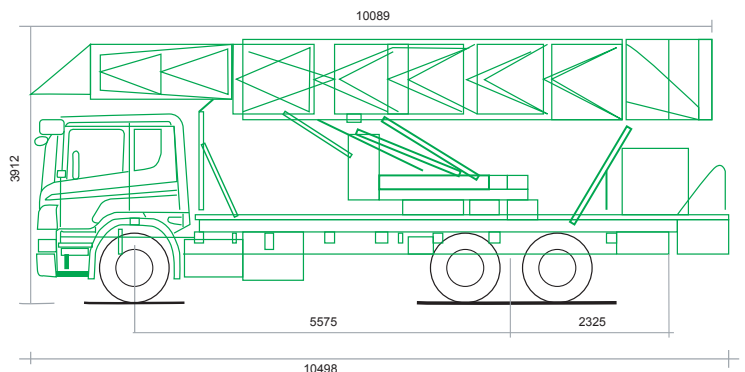
## Specs

|                                        |           |
|----------------------------------------|-----------|
| Under bridge working length            | 11-13 m   |
| Width of platform                      | 1.2 m     |
| Safe working load                      | 500 kg    |
| Max load at end of telescopic platform | 250 kg    |
| Max lowering depth                     | 7.2 m     |
| Rotation of platform                   | 180 °     |
| Space required on bridge               | 2.5 m     |
| Travelling height (stowed)             | 4 m       |
| Overall weight (approx)                | 21,500 kg |



## Additional Equipment

Generator 6KVA (silenced)



[www.ewphire.net.au](http://www.ewphire.net.au)

**EWP Hire Pty Ltd**

P: 0488 666 063

E: [admin@ewphire.net.au](mailto:admin@ewphire.net.au)

ABN: 61 162 101 699

P: PO Box 239 West Burleigh QLD 4219

A: 3 Rudman Parade, Burleigh Heads QLD 4220